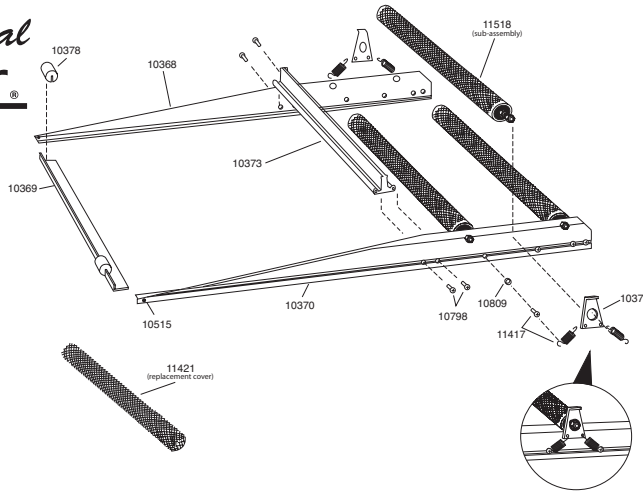


PARTS LIST

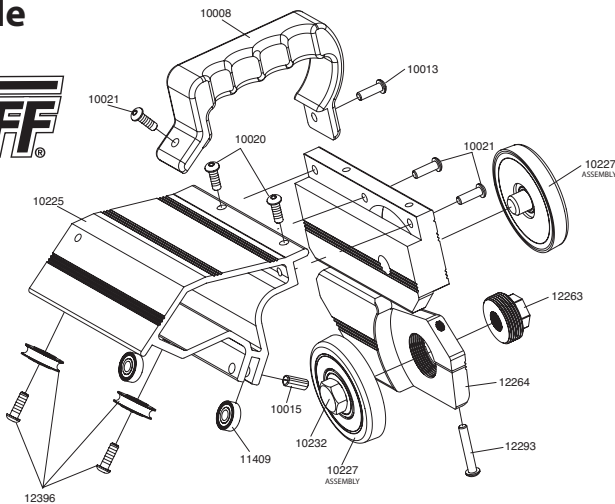
The Professional
pro-Coiler



Item #	Description
10368	Left Side Rail
10369	Front Support Bar
10370	Right Side Rail
10372	Roller Clip
10373	Support Bar
10378	Plastic Coil Guard
10515	10-24 x 1/2 Phillips Pan Head Screw
10798	10-24 x 5/8 Type F Phillips Head Screw
10809	Nylon Spacer
11417	Pivot Spring Kit (3) Roller/Pivot Spring (3) 10-24 x 1/2 Phillips Pan Head Screw
11421	Replacement Roller Cover Kit (3) Roller Covers
11518	Roller Tube (Sub-Assembly)

Adjustable

**MAX
CUT-OFF**

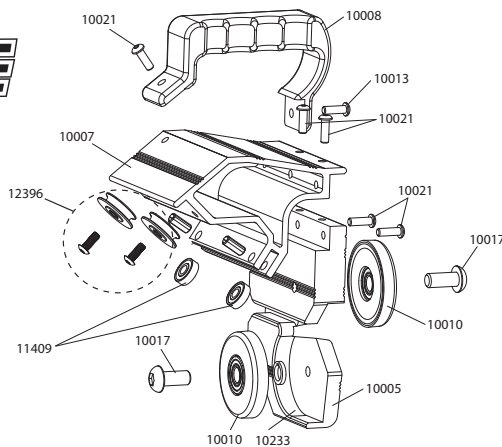


Item #	Description
10008	Handle
10225	Bridge
11409	Cut-Off Guide Bearing Kit Guide Bearing 5/16" Roll Pin
12264	Adjustable MAX Cut-Off Body
12396	Flange Track Bearing Kit * (2) Wide Flange Track Bearing (2) Lock Nut 1/4-20 (2) 1/4-20 x 5/8" Hex Button Head Screw
11393	Track Bearing Kit (not shown)
10021	1/4 -20 x 1" Hex Button Head Screw
10020	1/4 -20 x 5/8" Hex Button Head Screw
10013	1/4 -20 x 1-1/4" Button Head Screw
10227	MAX Knife Assembly
11413	Hinge Clip Kit (not shown)
10519	1/4 -20 x 3/4" Hex Wash Hd Screw (not shown)
11404	Material Stop Kit (not shown) (2) Material Stop (2) 1/4-20 Kurlled Knob (2) Cut-Off Tape Measure
12263	Adjusting Nut
12293	1/4 -20 x 1/2 Socket Head Cap Screws

*This kit replaces the Track Bearing Kit 11393. Both are still available for purchase.

**Please contact customer service if these parts need to be replaced.

**PRO
CUT-OFF**



Item #	Description
10005	Body
10007	Bridge
10008	Handle
10010	Knife Assembly
10013	1/4 -20 x 1-1/4" Button Head Screw
10021	1/4 -20 x 1" Hex Button Head Screw
10233	.25 washer/shim
10349	Coupling Nut (hook, not shown)
10519	1/4 -20 x 3/4" Hex Wash Hd Screw (not shown)
11404	Material Stop Kit (not shown) (2) Material Stop (2) 1/4-20 Kurlled Knob (2) Cut-Off Tape Measure
11409	Cut-Off Guide Bearing Kit Guide Bearing 5/16" Roll Pin
12396	Flange Track Bearing Kit (2) Wide Flange Track Bearing (2) Lock Nut 1/4-20 (2) 1/4-20 x 5/8" Hex Button Head Screw

*This kit replaces the Track Bearing Kit 11393. Both are still available for purchase.

**Please contact customer service if these parts need to be replaced.